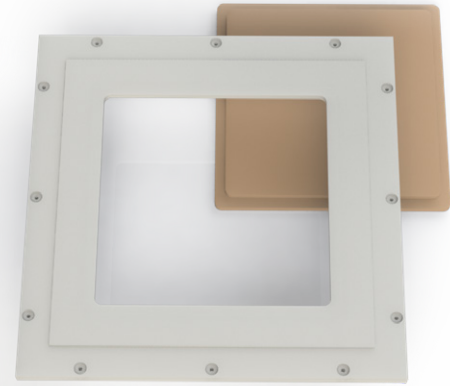


Tapeable Access Panels (T.A.P.) allow access to utilities within ceilings while providing a seamless finish with the surrounding drywall.

There are no exposed hinges or fasteners, creating a nearly invisible access solution.



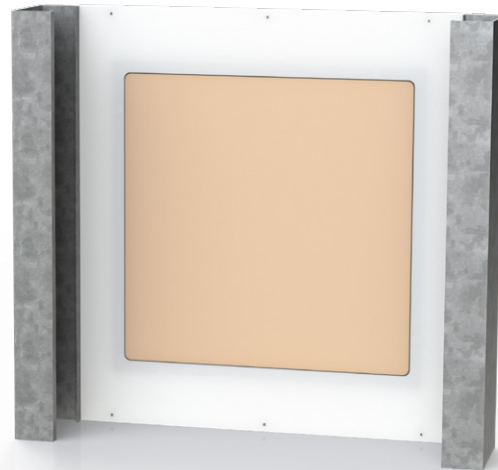
Features & Benefits:

- Sleek, virtually invisible access panel
- Made from MDF (Medium Density Fiberboard)
- Installed during the drywall stage
- Taped into the drywall for a seamless finish
- Available in both ceiling and wall panels
- Frames available primed for easy install
- Panels can be made from moisture resistant MDF



Sizes Available:

- 6" x 6"
- 8" x 8"
- 10" x 10"
- 12" x 12"
- 14" x 14"
- 16" x 16"
- 18" x 18"
- 20" x 20"
- 24" x 24"
- Custom Sizes



Note:

This technical data sheet has been carefully drawn up to the best of our knowledge. We accept no liability for any mistakes, errors in standards or printing errors. In addition, technical modifications can result from the continuous further development, as well as from changes in data from material suppliers. The contents of this technical leaflet should therefore not be considered as instructions for use or as legally binding.

Last Revised: 2021-12-30

All Rights Reserved 2022 - Hammer Hill Diversified LTD.

Technical Specifications

Material	MDF (Medium Density Fiberboard)
Thickness	1/2" or 5/8"
Approx Weight 1/2" Panels	2.2 lbs/sq ft
Approx Weight 5/8" Panels	2.7 lbs/sq ft
Finish	All Raw MDF OR Primed Frame and Raw MDF Panel
Magnet Type (Wall Panels Only)	Neodymium (NdFeB)
Primer Type (Primed Panels Only)	Waterborne low-VOC primer

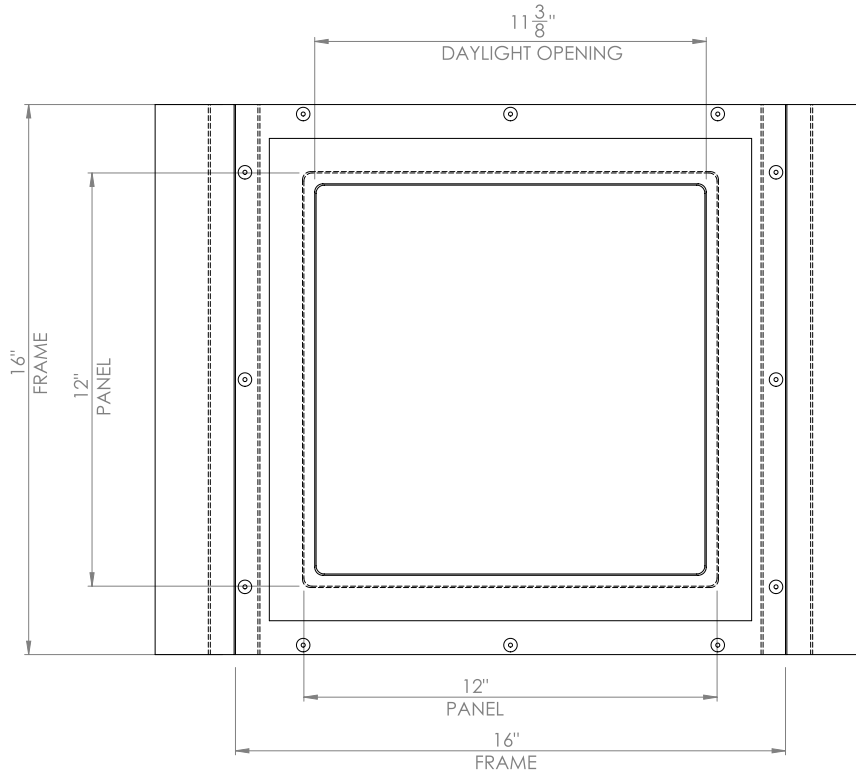
Note:

This technical data sheet has been carefully drawn up to the best of our knowledge. We accept no liability for any mistakes, errors in standards or printing errors. In addition, technical modifications can result from the continuous further development, as well as from changes in data from material suppliers. The contents of this technical leaflet should therefore not be considered as instructions for use or as legally binding.

Last Revised: 2021-12-30

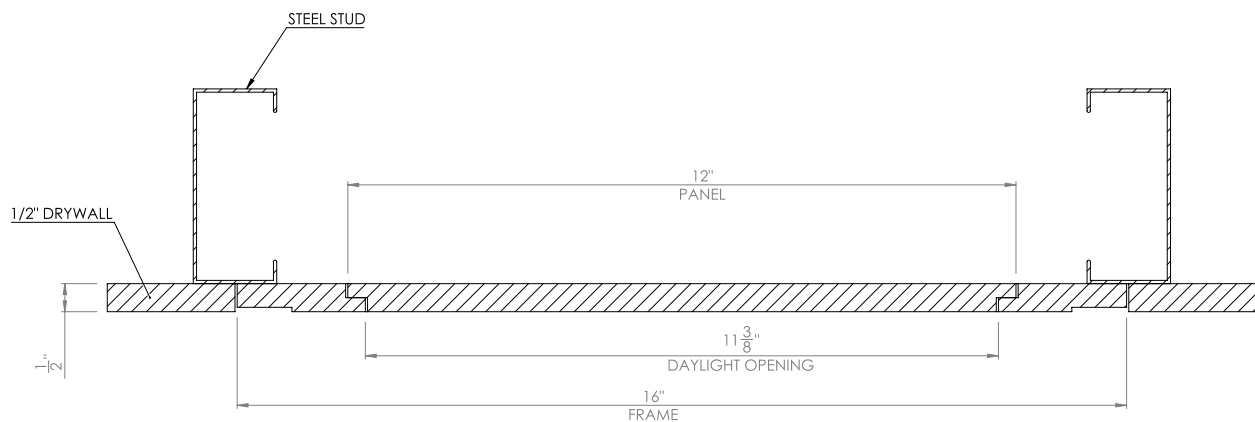
All Rights Reserved 2022 - Hammer Hill Diversified LTD.

Standard Ceiling Panel Dimensions



Notes:

- When ordering use "PANEL" size, not frame size. All SKUs are Panel Sizes
- Drawings show a 1/2" panel, all dimensions except for thickness apply to 5/8" panels
- Drawings show a 12" x 12" panel, the difference from the panel size to frame dimension and daylight opening is the same for all panel sizes
- Additional screw holes are provided for larger panel sizes



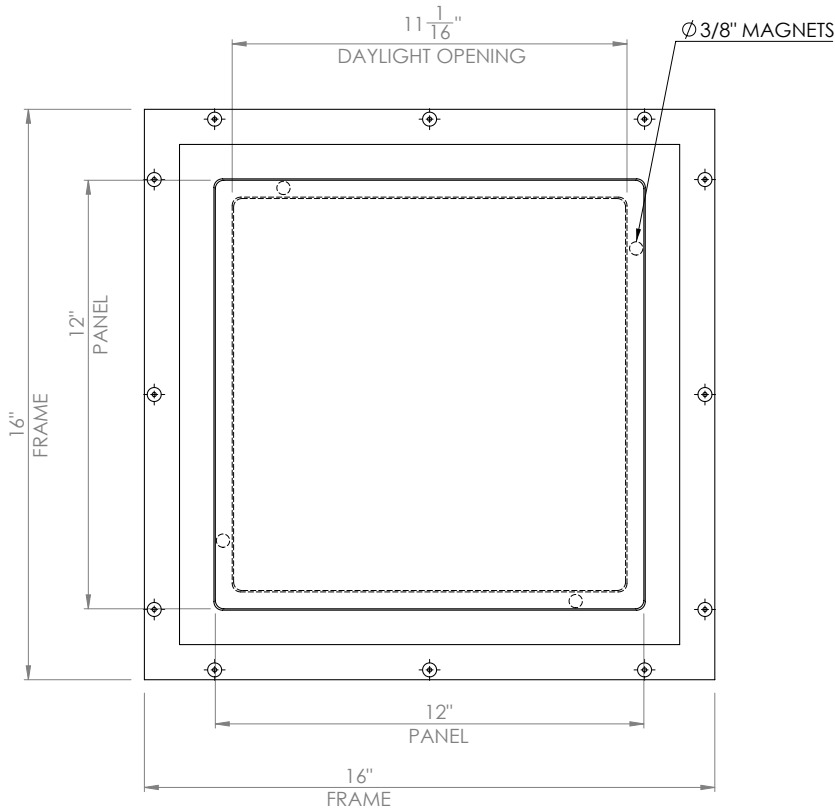
Note:

This technical data sheet has been carefully drawn up to the best of our knowledge. We accept no liability for any mistakes, errors in standards or printing errors. In addition, technical modifications can result from the continuous further development, as well as from changes in data from material suppliers. The contents of this technical leaflet should therefore not be considered as instructions for use or as legally binding.

Last Revised: 2021-12-30

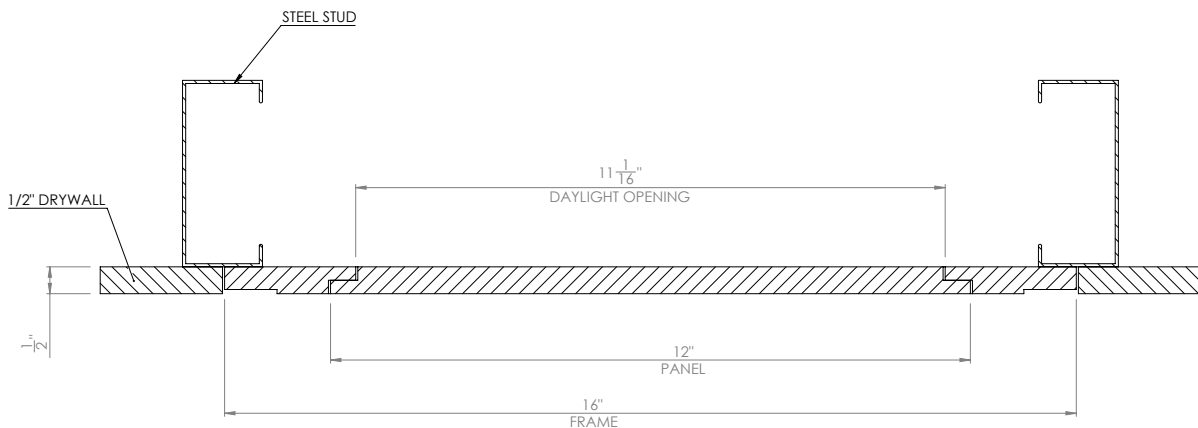
All Rights Reserved 2022 - Hammer Hill Diversified LTD.

Standard Wall Panel Dimensions



Notes:

- When ordering use "PANEL" size, not frame size. All SKUs are Panel Sizes
- Drawings show a 1/2" panel, all dimensions except for thickness apply to 5/8" panels
- Drawings show a 12" x 12" panel, the difference from the panel size to frame dimension and daylight opening is the same for all panel sizes
- Additional screw holes and magnets are provided for larger panel sizes



Note:

This technical data sheet has been carefully drawn up to the best of our knowledge. We accept no liability for any mistakes, errors in standards or printing errors. In addition, technical modifications can result from the continuous further development, as well as from changes in data from material suppliers. The contents of this technical leaflet should therefore not be considered as instructions for use or as legally binding.

Last Revised: 2021-12-30

All Rights Reserved 2022 - Hammer Hill Diversified LTD.